

GPS Tracker Model WA-100



WA-100 is a combined tracking device with BDS and GPS. The tracker can use for motorcycle, vehicle and e-bike. It supports the function about cut the oil and electricity, helps the owner to protect their motorcycle, vehicle and e-bike well. We provide free platform for the buyers, they can check the situation via our platform in mobile phone and computer.

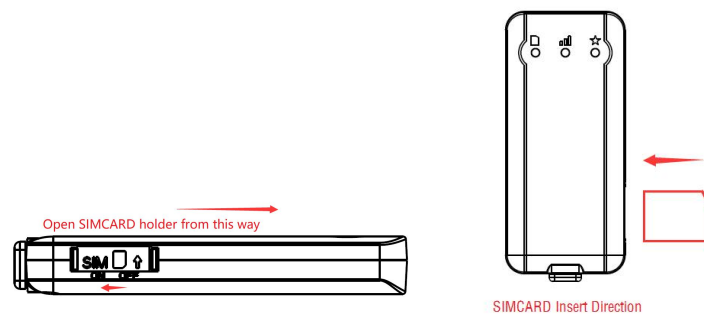
Functions:

- Real time tracking
- SOS alarm
- Cutting the oil and electricity
- Track playback
- Mileage statistics
- Remote control
- Vibration alarm

Installation instructions:

1. Install the SIM card

Open the SIM card holder according to the direction reminder write on holder, then insert the SIM card and press it once.



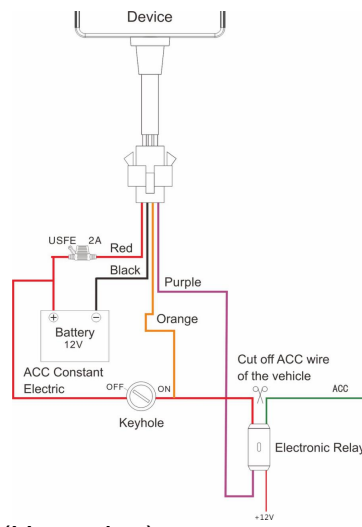
2. Install tracker into vehicle

It's recommended to install the host by the professional body appointed by the dealer and meanwhile please keep the following matters in mind:

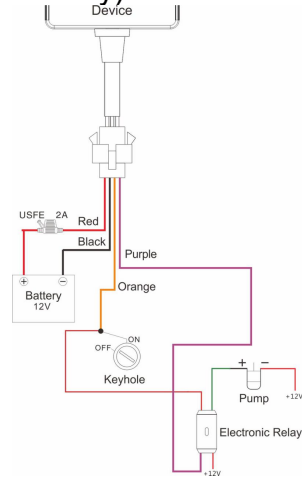
- 2.1 To avoid damage by thieves, please install the host in a concealed place;
- 2.2 Please don't install it near emitters such as parking sensor, and other vehicle-mounted communication equipment;
- 2.3 Please keep it away from high temperature and high humidity;
- 2.4 To prevent influencing the vibration detection effect, please fix it with a strapping tape or double-sided adhesive tape;
- 2.5 Please be sure the right side up and without any metal objects above.

3. Install Power Cable (Wiring)

- 3.1 To control the ACC connection(Use relay)



3.2 To control the pump connection (Use relay)



Specifications:

Sensitivity	<-160 dBm	TTFF	Cold Start 45s, Hot Start 2s
Fix Accuracy	10m	Speed Accuracy	0.3m/s
Band	GSM 850/900/1800/1900MH z	Dimension	77mm×32mm×13mm
Operating voltage	9V ~ 85V (For vehicle and motorcycle)	Maximum operating current	< 300mA (12V)
Operating current in normal mode	< 15mA (12V)	Working temperature	-20 °C ~ +70 °C
Humidity	20% ~ 95%		

Accessories:

WA-100 Tracker	Cable	User manual	Magic sticker
----------------	-------	-------------	---------------